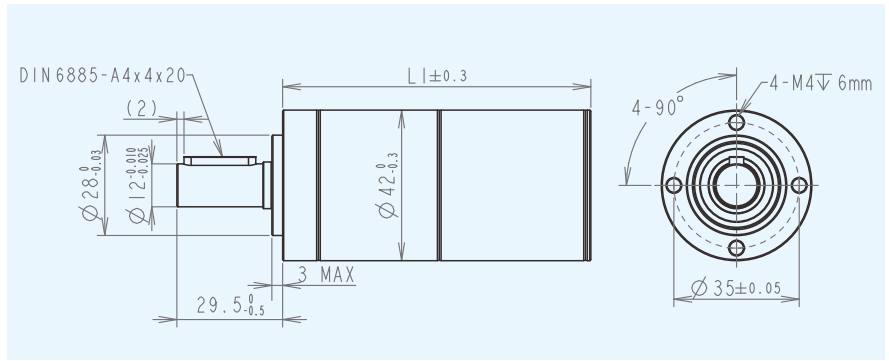


# ZWSMD042042

Φ42mm 行星齿轮箱



## 技术数据

| 齿轮箱级数            |    | 1        | 2                  | 3   | 4   |
|------------------|----|----------|--------------------|---|---|
| 连续输出转矩 (Max)     | Nm | 4.5      | 18                 | 32  | 35  |
| 瞬间容许力矩(Max)      | Nm | 7        | 24                 | 46  | 50  |
| 减速比              | /  | 3.9, 5.3 | 16, 21, 26, 28, 35 | 62, 83, 103, 111, 138, 150, 172, 186, 231 | 243, 326, 406, 439, 546, 590, 679, 734, 794, 913, 987, 1135, 1227, 1526 |
| 外直径              | mm | 42       | 42                 | 42  | 42  |
| 齿轮箱长度L1          | mm | 47.8     | 66.4               | 86  | 104.5   |
| 最大效率             | %  | 96       | 93                 | 90  | 87  |
| 建议温度范围           | °C | -40~+100 | -40~+100           | -40~+100                                  | -40~+100  |
| 齿轮箱重量 (Max)      | G  | 400      | 540                | 660                                       | 800   |
| 最大传输功率 (连续)      | W  | 650      | 460                | 200                                       | 40  |
| 最大传输功率 (瞬时)      | W  | 820      | 580                | 250                                       | 50  |
| 空载平均空回           | °  | 0.5      | 0.5                | 0.5                                       | 0.5   |
| 最大轴向载荷 (动态)      | N  | 200      | 200                | 200                                       | 200   |
| 最大径向载荷 (离法兰4mm处) | N  | 350      | 525                | 750                                       | 750   |
| 输出端轴承            |    | 滚珠轴承     | 滚珠轴承               | 滚珠轴承                                      | 滚珠轴承  |
| 轴向间隙             | mm | 0~0.1    | 0~0.1              | 0~0.1                                     | 0~0.1   |

\*注：以上数据不包含电机，减速箱和电机整体出售，具体参数可根据客户要求定制

## 模块化组合

| 组合产品 | 型号                 | 级数    |       |     |       |
|------|--------------------|-------|-------|-----|-------|
|      |                    | 1     | 2     | 3   | 4     |
| 直流电机 | 3571 Φ35mm 空心杯电刷   | 118.8 | 137.4 | 157 | 175.5 |
| 无刷电机 | 4088 Φ40mm 无刷空心杯电机 | 135.8 | 154.4 | 174 | 192.5 |
|      | 4260 Φ42mm 无刷电机    | 107.8 | 126.4 | 146 | 164.5 |
| 编码器  | CB-ST-22           | 磁编    |       |     |       |

## 典型应用产品数据

| 型号                 | 额定电压 (V) | 空载数据       |               | 负载数据       |              |          | 总长 (mm) | 齿轮箱额定容许力矩 (NM) | 齿轮箱瞬间容许力矩 (NM) | 减速比 | 减速箱长 L1(mm) |    |    |    |     |       |
|--------------------|----------|------------|---------------|------------|--------------|----------|---------|----------------|----------------|-----|-------------|----|----|----|-----|-------|
|                    |          | 空载转速 (rpm) | 空载电流 (mA max) | 负载转速 (rpm) | 负载电流 (A Max) | 转矩 (N.m) |         |                |                |     |             |    |    |    |     |       |
| ZWSMD042042-3.9-X  | 24       | 2085       | 600           | 1836       | 9            | 0.5      | 118.8   | 4.5            | 7              | 3.9 | 47.8        |    |    |    |     |       |
| ZWSMD042042-5.3-X  | 24       | 1534       | 600           | 1351       | 9            | 0.6      |         |                |                | 5.3 |             |    |    |    |     |       |
| ZWSMD042042-16-X   | 24       | 508        | 600           | 448        | 9            | 1.8      |         |                |                | 16  |             |    |    |    |     |       |
| ZWSMD042042-21-X   | 24       | 387        | 600           | 341        | 9            | 2.4      | 138     | 18             | 24             | 21  | 67          |    |    |    |     |       |
| ZWSMD042042-26-X   | 24       | 313        | 600           | 275        | 9            | 3.0      |         |                |                | 26  |             |    |    |    |     |       |
| ZWSMD042042-28-X   | 24       | 290        | 600           | 256        | 9            | 3.2      |         |                |                | 28  |             |    |    |    |     |       |
| ZWSMD042042-35-X   | 24       | 232        | 600           | 205        | 9            | 4.0      |         |                |                | 35  |             |    |    |    |     |       |
| ZWSMD042042-62-X   | 24       | 131        | 700           | 115        | 9.5          | 6.9      |         |                |                | 62  |             |    |    |    |     |       |
| ZWSMD042042-83-X   | 24       | 98         | 700           | 86         | 9.5          | 9.2      | 83      | 157            | 32             | 46  | 103         | 86 |    |    |     |       |
| ZWSMD042042-103-X  | 24       | 79         | 700           | 70         | 9.5          | 11.4     | 103     |                |                |     |             |    |    |    |     |       |
| ZWSMD042042-111-X  | 24       | 73         | 700           | 65         | 9.5          | 12.3     | 111     |                |                |     |             |    |    |    |     |       |
| ZWSMD042042-138-X  | 24       | 59         | 700           | 52         | 9.5          | 15.3     | 138     |                |                |     |             |    |    |    |     |       |
| ZWSMD042042-150-X  | 24       | 54         | 700           | 48         | 9.5          | 16.7     | 150     |                |                |     |             |    |    |    |     |       |
| ZWSMD042042-172-X  | 24       | 47         | 700           | 42         | 9.5          | 19.1     | 172     |                |                |     |             |    |    |    |     |       |
| ZWSMD042042-186-X  | 24       | 44         | 700           | 38         | 9.5          | 20.7     | 186     |                |                |     |             |    |    |    |     |       |
| ZWSMD042042-231-X  | 24       | 35         | 700           | 31         | 9.5          | 25.7     | 231     |                |                |     |             |    |    |    |     |       |
| ZWSMD042042-243-X  | 24       | 33         | 800           | 29         | 10           | 26.4     | 243     |                |                |     | 175.5       |    | 35 | 50 | 326 | 104.5 |
| ZWSMD042042-326-X  | 24       | 25         | 800           | 22         | 10           | 35.4     | 326     |                |                |     |             |    |    |    |     |       |
| ZWSMD042042-406-X  | 24       | 20         | 800           | 18         | 10           | 44.1     | 406     |                |                |     |             |    |    |    |     |       |
| ZWSMD042042-439-X  | 24       | 19         | 800           | 16         | 10           | 47.7     | 439     |                |                |     |             |    |    |    |     |       |
| ZWSMD042042-546-X  | 24       | 15         | 800           | 13         | 10           | 59.3     | 546     |                |                |     |             |    |    |    |     |       |
| ZWSMD042042-590-X  | 24       | 14         | 800           | 12         | 10           | 64.1     | 590     |                |                |     |             |    |    |    |     |       |
| ZWSMD042042-679-X  | 24       | 12         | 800           | 11         | 10           | 73.8     | 679     |                |                |     |             |    |    |    |     |       |
| ZWSMD042042-734-X  | 24       | 11         | 800           | 10         | 10           | 79.8     | 734     |                |                |     |             |    |    |    |     |       |
| ZWSMD042042-794-X  | 24       | 10         | 800           | 9          | 10           | 86.3     | 794     |                |                |     |             |    |    |    |     |       |
| ZWSMD042042-913-X  | 24       | 9          | 800           | 8          | 10           | 99.2     | 913     |                |                |     |             |    |    |    |     |       |
| ZWSMD042042-987-X  | 24       | 8          | 800           | 7          | 10           | 107.3    | 987     |                |                |     |             |    |    |    |     |       |
| ZWSMD042042-1135-X | 24       | 7          | 800           | 6          | 10           | 123.4    | 1135    |                |                |     |             |    |    |    |     |       |
| ZWSMD042042-1227-X | 24       | 7          | 800           | 6          | 10           | 133.4    | 1227    |                |                |     |             |    |    |    |     |       |
| ZWSMD042042-1526-X | 24       | 5          | 800           | 5          | 10           | 165.8    | 1526    |                |                |     |             |    |    |    |     |       |

\*以上规格数据仅供参考，如有修改恕不另行通知，下单前请找客户询问。